



Standard Features & Accessories

All models include

- Recommended for use with 30" and 36"W. non-griddle/grill ranges, 30" and 36"W. non-griddle/grill rangetops, and 30" and 36"W. cooktops
- Heavy-duty construction; sleek, contemporary design and styling
 - Virtually seamless stainless steel design with no visible screws
- Adjustable duct cover (for 8 – 9' ceilings) ships standard with hood
- Heat sensor turns the ventilator on full power when cooking temperatures reach uncomfortable levels
- Variable speed 450 CFM blower ships standard for custom venting—allows you to leave ventilator at favorite/most-used setting
- May be converted for non-ducted recirculation (accessory kit sold separately)
- Advanced, electronic push-button controls with LED display
- Delay feature allows you to set the ventilator to shut off on its own
- Easy cleanup
 - Dishwasher-safe, stainless steel mesh filters efficiently remove grease and heated vapors from the air, and are easily removed for quick cleaning (frame and mesh are stainless steel)
 - See **Dimensions & Specifications** table for number of filters per model
 - Design of low-profile filter system means less interior hood space to be cleaned
- Two 20-watt halogen lights with dimmer control. (bulbs included)

Model Options



**DGWH Designer
Chimney Glass Wall Hood**

FINISH DETAILS

- Stainless Steel (SS)

ORDERING INSTRUCTIONS

First specify model number, followed by color code (DGWH3042SS).



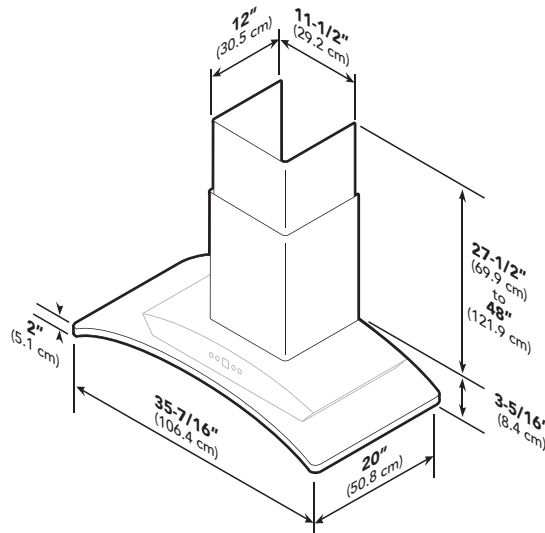
★ Please see **Installation Notes & Accessories** for important information, including ventilator kits, duct covers, backsplashes, and warming shelf panels.

Dimensions & Specifications

PRODUCT DIMENSIONS



**DGWH Designer
Chimney Glass Wall Hood**



CHIMNEY WALL HOOD

Model	Hood Width	Hood Height	Duct Cover Width	Duct Cover Depth	Duct Cover Height	Lights	Filters	Heat Lamps	Approx. Ship. wt.
DGWH3646	35-7/16" (90.0 cm)	3-5/16" (8.4 cm)	11-1/2" (29.2 cm)	12" (30.5 cm)	27-1/2" (69.9 cm) — 48" (121.9 cm)	2	2	N/A	67 lbs. (30.4 kg)

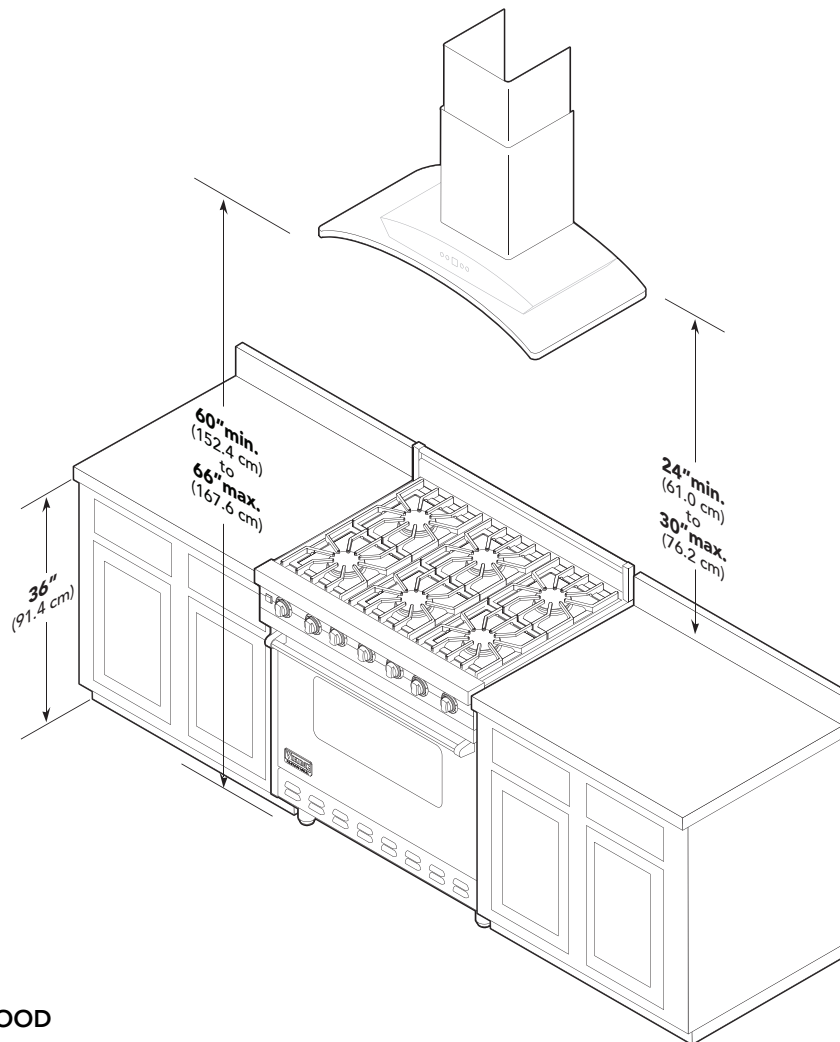


Dimensions & Specifications

CLEARANCE DIMENSIONS



**DGWH Designer
Chimney Glass Wall Hood**



CHIMNEY WALL HOOD

Note: For best performance and safe, efficient operation, it is recommended that the bottom of the hood be 24" (61.0 cm) to 30" (76.2 cm) above the countertop.



Installation Requirements



**DGWH Designer
Chimney Glass Wall Hood**

UTILITY REQUIREMENTS

Proper installation/ducting is extremely important to ensure maximum performance. Use a qualified and trained installer.



DUCTING

- 450 CFM interior (blower included)
- Check with a qualified and trained installer for local codes and makeup air requirements, if any.
- Max. duct run length—50' (152.4 m)
 - o Duct run length is for general reference only; for longer duct runs, increase duct size and contact a qualified and trained installer.
 - o Straight runs and gradual turns are best; for example, each 90° elbow is equivalent to 5' – 10' (1.52 – 3.05 cm) of straight run.

- 6" round duct
 - o Never use flexible duct; it creates back pressure/air turbulence and greatly reduces performance.



GAS

Not applicable



ELECTRICAL

- Hardwire direct with two-wire with ground
- 120 VAC/60 Hz
- Max. amp usage—3.13



PLUMBING

Not applicable

Note: All CFMs are based on tests with 0.1 static pressure. Without applying static pressure (some brands do not), CFM could be greatly overstated.

Model	Interior Ventilator Kits	Interior Duct Size	Interior Max. Amps
DGWH3646	450 CFM Standard	6" (15.2 cm)	3.13



✦ Installation Notes & Accessories

Recirculating Hood Conversion Kits

- For DGWH only
- Eliminates ducting
- Kit includes
 - Charcoal filter
 - Installation hardware
 - Top vent/grille
 - Air diverter
 - Reducing collar

Model	Description	Approx. ship wt. lbs. (kg)
DGRK36	36"W. glass hood	3 (1.1)

Duct Cover Extensions

- For DGWH only
- 11-1/2"W. x 12"D. x 36"-56"H.
- Extends height of hood by up to 12" (for 10' ceilings)
- Replaces adjustable duct cover supplied with hood
- Specify finish code following accessory model number (for example, DGCE1210-SS)
- Available in Stainless Steel (SS)

Model	Description	Approx. ship wt. lbs. (kg)
DGCE1210	Designer glass duct cover extension	12 (5.4)

Compliance Information



WARRANTY SUMMARY*

- One-year full warranty—complete product
- Five-year limited warranty—all ventilator motors
- Ninety-day limited warranty—cosmetic parts such as glass, painted, and decorative items

*Must use Viking ventilator kits with Viking hoods; use of non-Viking kits voids product warranty. For complete warranty see *Use & Care Guide*.
Warranty valid on Viking products shipped within the United States and Canada.

